

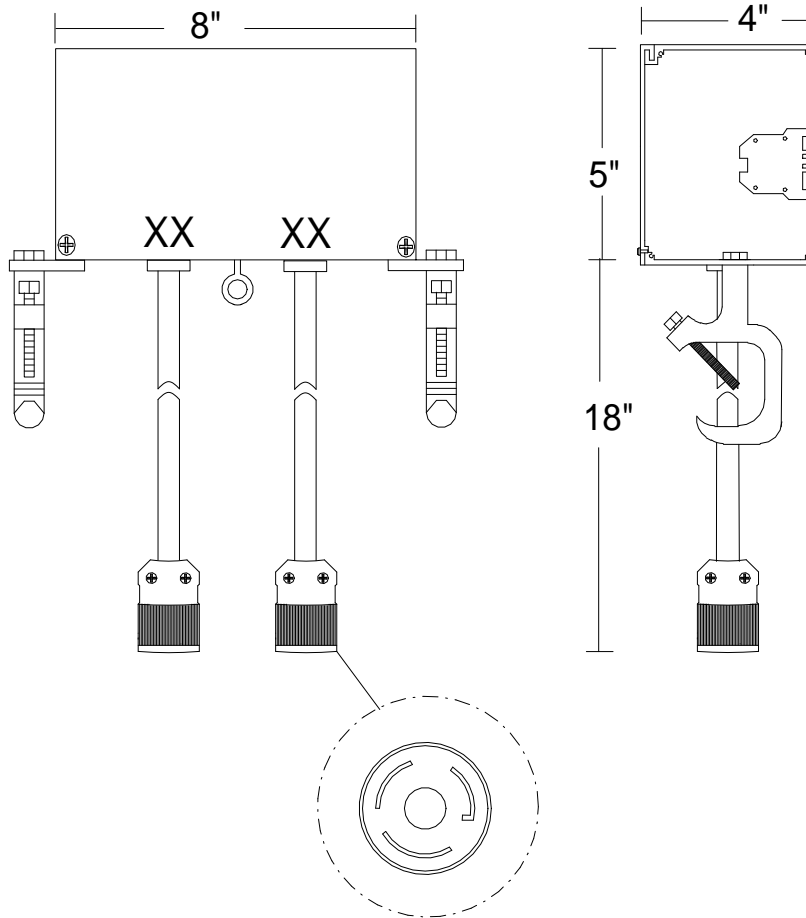
#### Standard Features

- .125" Aluminum enclosure with interlocking J-cover and integral din rail
- Matte black powdercoated finish
- Two theatrical C-Clamps
- 1" Eye bolt for safty cable
- Pre-wired to din rail mounted molded barrier terminal blocks 10-16 Awg
- 1" white high performance 3 mill vinyl 10yr. exterior rated
- 12 gauge 3 conductor SO cable pigtails 18" standard
- Non slip / rotating pigtail strain relief bushing
- NEMA L5-20 female connector
- Made in USA
- UL Listed and Labeled for use in the United States and Canada



#### Options

- Custom paint/ powdercoated finishes
- Engraved, stenciled, various colored vinyl circuit identification
- Various pigtail lengths
- Custom size enclosure
- Integral low voltage receptacles ( DMX / Ethernet)



Qty. \_\_\_  
 8" C-Clamp Mounted Outlet Box with  
 2 NEMA L5-20 female 18" pigtails wired on 2 circuits

INDICATE CIRCUIT NUMBERING IF REQUIRED